

MPX-90S

Master Sales Guide



**“Built for creativity, longevity, and precision,
but priced to build your business.”**

Table of Contents

Need to Know.....	4
Target Markets.....	5
MPX-95 Comparison.....	6
Product Overview.....	8-9
Product Features	10-13
Reasons to Buy	14
Specifications	15
Applications.....	17

Overview

About:

- The MPX-90S delivers fantastic photo impact decoration capability, easy of use, and proven Roland DG reliability at an attractive price point.

Pricing

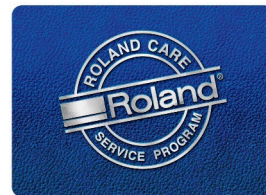
- **MPX-90S**

Includes Grid Table & Centering Vise

\$3,995 MSRP

Warranty Information:

- The MPX-90S offers unmatched reliability and post-sales support that includes a **One-Year Trouble-Free Warranty**. Enjoy the benefits of certified service engineers committed to ensuring that your device is always up-and-running, plus dedicated online and telephone support specialists ready to answer your questions and concerns.



Target Markets

Gift and Jewelry

- Kiosks
- Shopping mall
- Department stores
- Brand customization

Industrial marking

- Hospital
- Manufacturers
- Factories
- Industries with physical tag requirements.
(oil and gas, maritime)



Comparison vs. MPX-95

	MPX-90S	MPX-95
MSRP	\$3,995	\$4,995
Imprint Area	80mm x 80mm	80mm x 80mm
Imprint Speed	50mm/s (353dpi)	50mm/s (353dpi)
Head	MPH-90	MPH-90
Base Table	Not detachable	Detachable
Gift/DPM Kit	Not compatible	Compatible
Laser Pointer	No	Yes
Included items	<ul style="list-style-type: none"> • Grid Table • Center Vise • Pen clamp • Others (AC adapter, USB cable, etc.) 	<ul style="list-style-type: none"> • Grid Table • Others (AC adapter, USB cable, etc.)
Board	MPX-95 board	<ul style="list-style-type: none"> • MPX-95 board
Software	<ul style="list-style-type: none"> • METAZAStudio • SFEdit2 • HeadManager • WindowsDriver 	<ul style="list-style-type: none"> • METAZAStudio • SFEdit2 • HeadManager • WindowsDriver

Product Overview

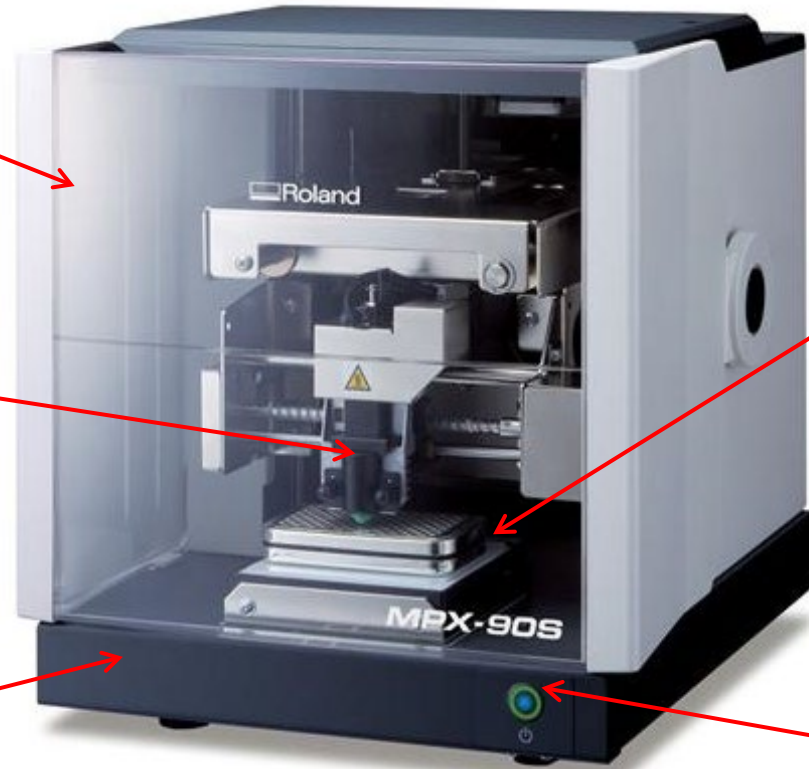
Clean, Quiet Enclosure

High-Resolution Photo Impact Print Head

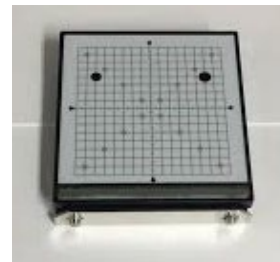
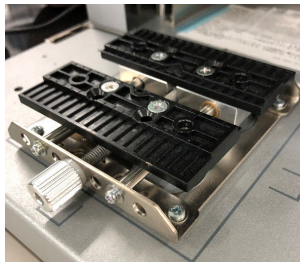
Space Saving Machine Size

Versatile Setup Configuration

One-Touch Setup



Centering Vise and Grid Platform Included



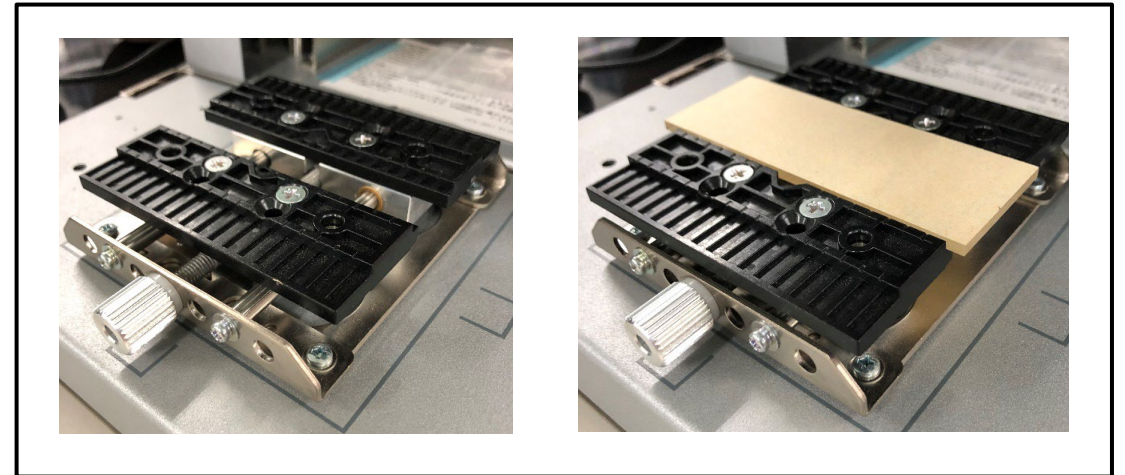
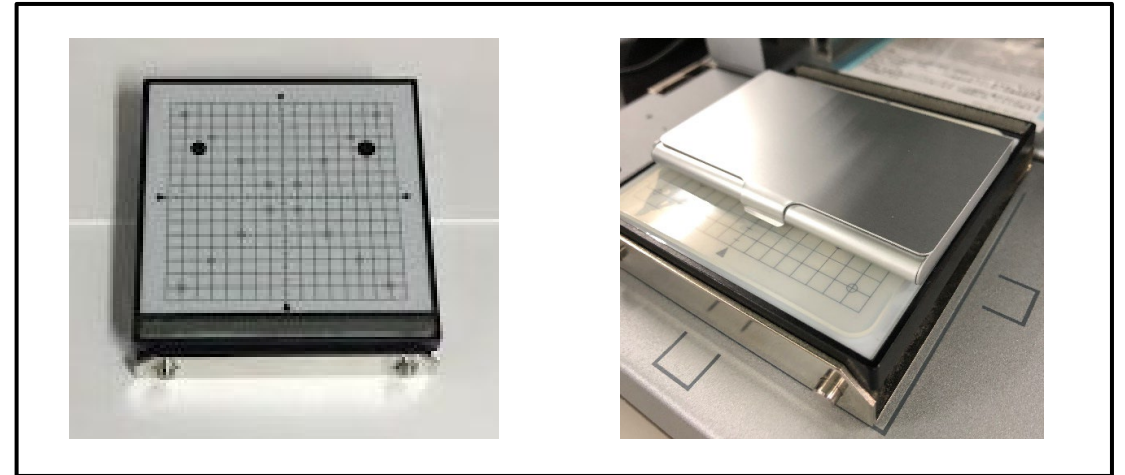
Accessories

Grid Table *(Included)*

- Silicone pad with grid.
- Used for simple engraving applications.

Grid Table *(Included)*

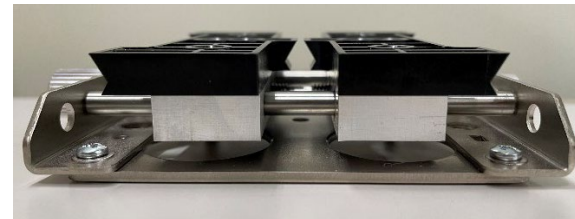
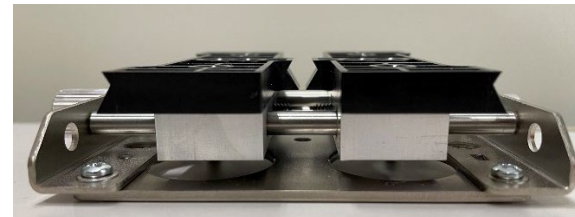
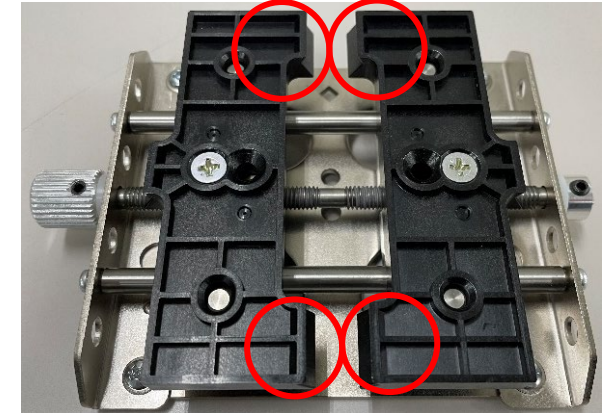
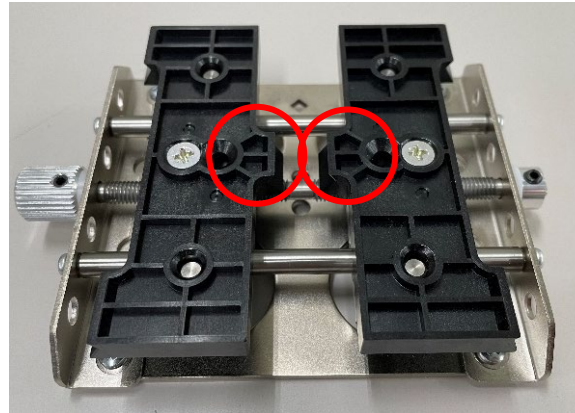
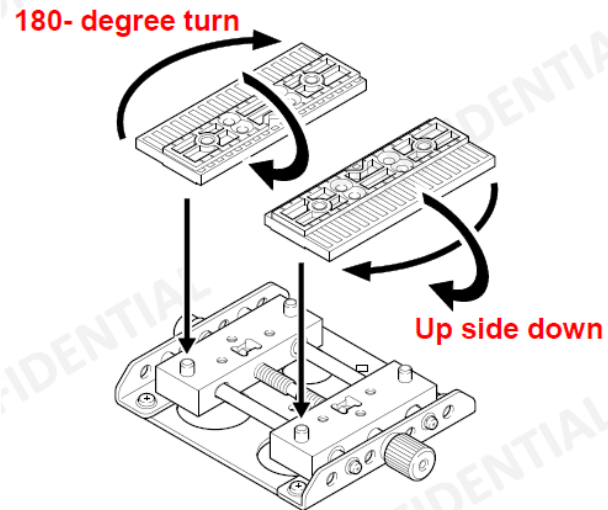
- For fixing materials not suited for setting up on the flat pad surface.
- Used for precise repeated engraving of rounded or odd shaped items (Pens, dog tags, etc.)



Accessories (Continued)

Centering Vise Improvements:

- Convertible in four different ways.
- Vise jaws can be rotated for multiple clamping configurations.



Proven Imaging Technology

MPX Print Head Technology

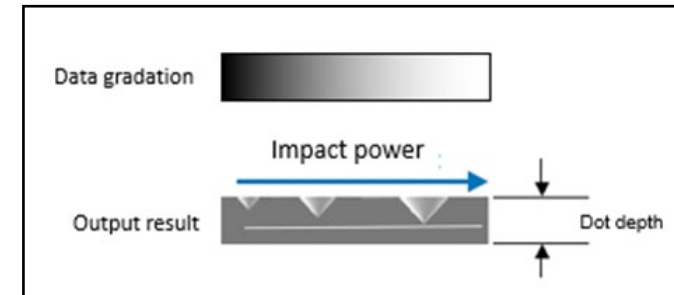
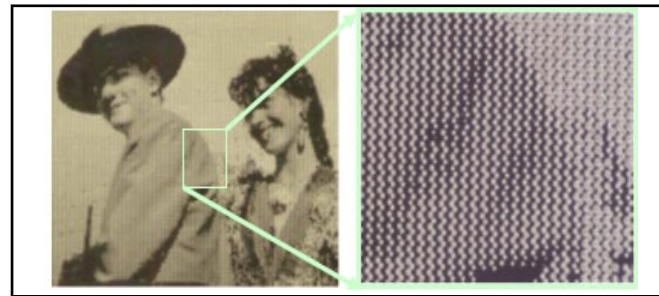
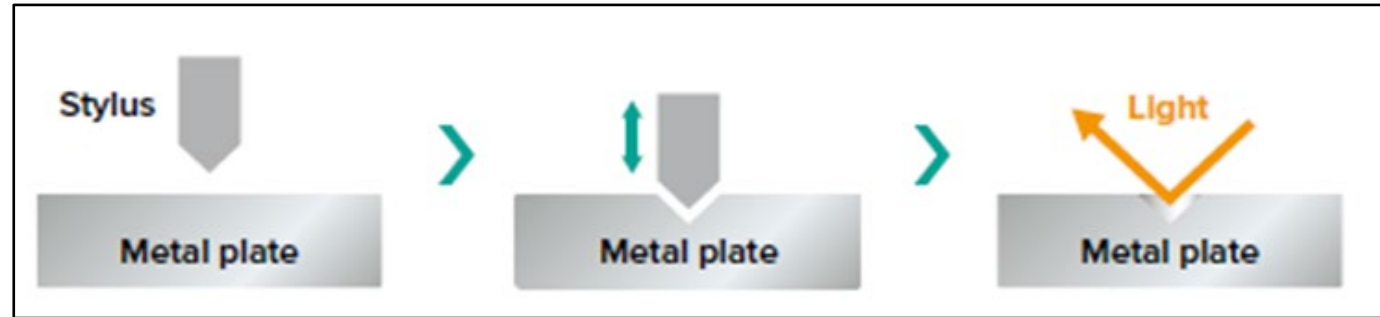
- Proven Reliability
- User Replaceable
- Diamond Stylus
- Head Manager Utility Software

High Resolution

- 529 dpi (High resolution)
- 353 dpi (Photo)
- 265 dpi (Text)
- 058 dpi (Vector)

Variable Impact Technology

- Multiple dot sizes in single job
- Smooth Gradients
- Photo Realistic Quality
- Broad Material Compatibility



Print Head Specifications

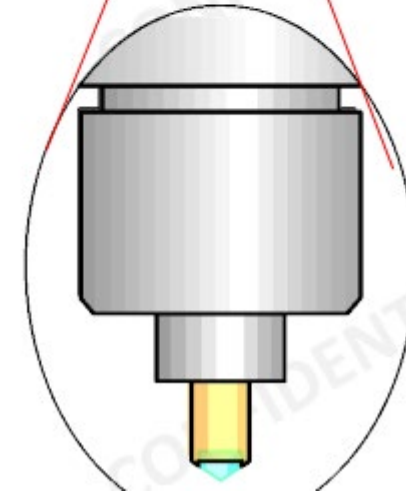
The MPH-90 print head has been optimized for the MPX-90S.

- Diamond Tip
- User Replicable
- Pin diameter – 0.8mm
- Impact Power – 1.8N
- Life Expectancy – 100 million dots

****Diamond Tip****

Diamond is brazed at the tip of the pin.

Users should avoid striking the edge of engraving materials.



Software Package



METAZA Studio

- This is a program for creating imprint data.
- It enables you to import and crop images to imprint, edit and add text, etc.

MPX-90S Head Manager

- This is a utility for adjusting the head.
- Run it when you replace the head or adjust the marking pin.

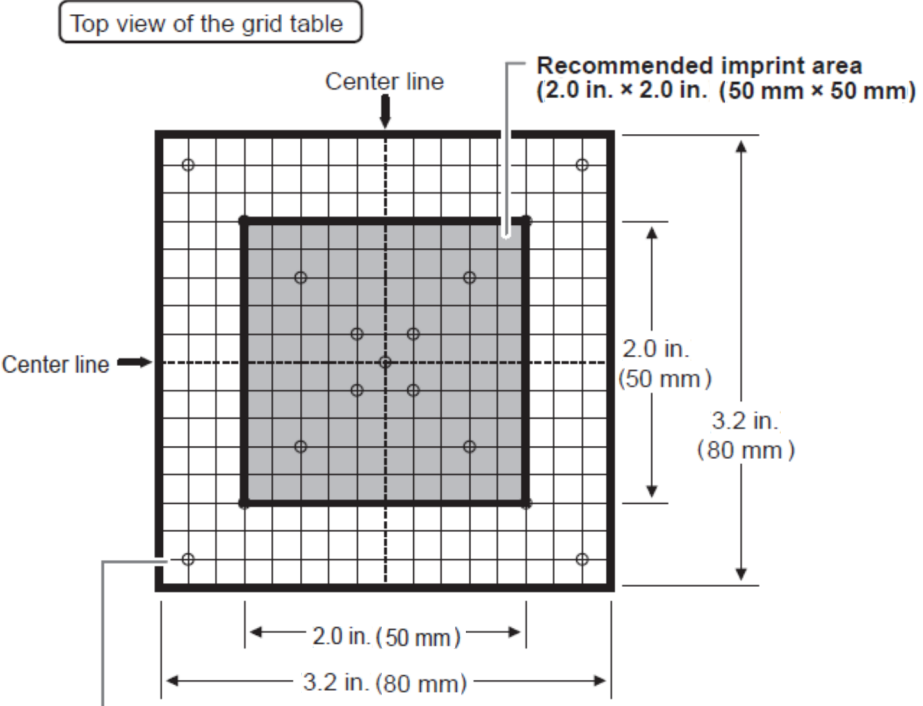
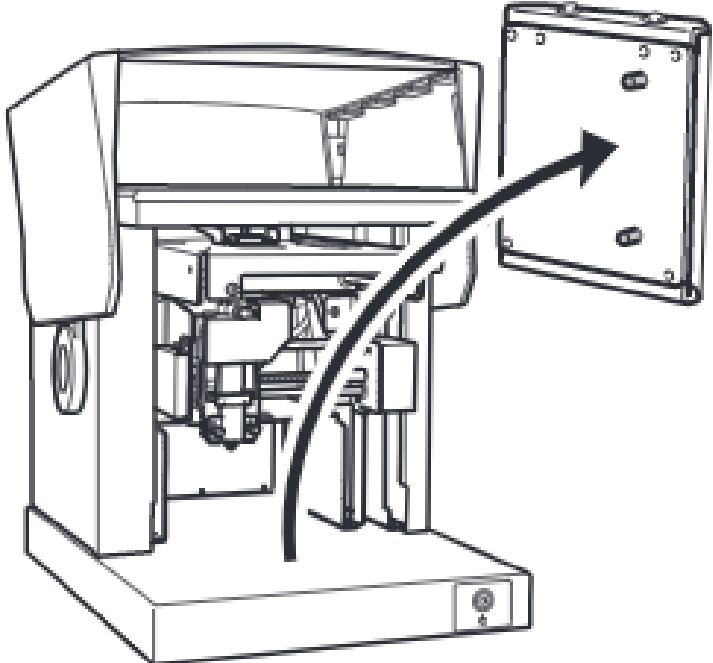
Reasons to Buy

- **Compact Design**
 - It fits almost anywhere.
- **Easy to Operate**
 - Intuitive software package
- **Unique ROI Potential**
 - Multiple markets for personalization.
- **Competitively Priced**
 - \$3,995 including centering vise.



MPX-90s shown above with Grid Table Configuration.

Grid Table Specifications:



Maximum imprint area (3.2 in. x 3.2 in (80mm x 80 mm))
Setting configuration through METAZA Driver 2 is required.
If an image exceeds the imprintable area, the print result might become uneven outside of the imprintable area.

Specifications

Printable material	Gold, silver, copper, platinum, brass, aluminum, iron, stainless steel, titanium
Loadable material size	With base table + base plate: Maximum 3.93 in. (width) x 7.87 in. (length) x 1.57 in (thickness) (100 mm x 200 mm x 40 mm), or 7.87 in. (width) x 3.93 in. (length) x 1.57 in (thickness) (200 mm x 100 mm x 40 mm), With base plate only: Maximum 3.93 in (width) x 7.87 in (length) x 2.75 in (thickness) (100 mm x 200 mm x 70 mm), or 7.87 in (width) x 3.93 in (length) x 2.75 in (thickness) (200 mm x 100 mm x 70 mm), *Cover is closed.
Printing area	Maximum printing area: 3.15 in. (W) x 3.15 (D) x 2.75 in (H) (80 mm x 80 mm x 70 mm) Recommended printing area 1.97 in. (W) x 1.97 in (H) x 2.75 (H) (50 mm x 50 mm x 70 mm)
Resolution	High-resolution: 529 dpi, Photo: 353 dpi, Text: 265, Vector: 1,058 dpi
Printing direction	Unidirectional printing or bidirectional printing (Selectable with Windows driver)
Printing speed (default)	Photo: 1.97 in./sec. (50 mm/sec.), High-resolution, Text: 1.3 in./sec. (33 mm/sec.), Vector: .95 in./sec. (24 mm/sec.)
Interface	USB
External dimensions	11.26 in (W) x 15.08 in (D) x 12.13 (H) (286 mm x 383 mm x 308 mm)
Weight	12 kg
Accessories	AC adapter, power cord, test-use printing material, USB cable, CD-ROM, user's manual, etc.



Thank you